

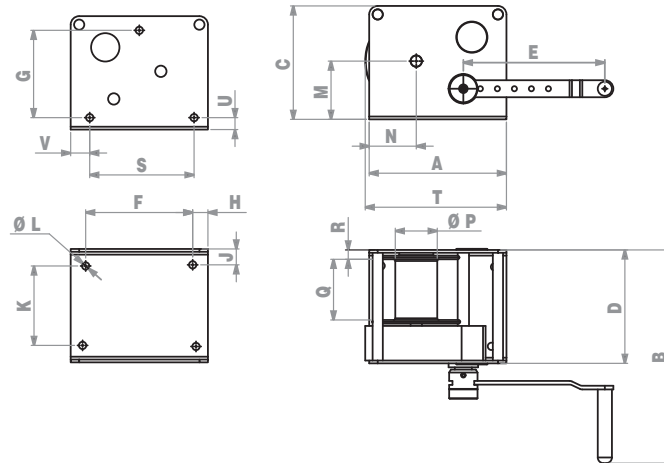
technical sheet

Manual spur gear winches carol™ TR model W.L.L. : 300 and 500 kg

réf. : **T 2091 GB**
rév. n° : -
date : **06/08**
page : **1/1**

Features :

- Complies with machinery directive 98/37/CE.
- Winch satisfies all rupture and endurance test requirements per standard EN13157 :12/2004.
- Automatic pawl brake with double spring.
- Rigid tubular frame with painted mechanical parts and drum.
- Drum disengageable by easily accessible lever with safety device preventing disengagement when carrying a load.
- Users and gears protected by ergonomic cover, removable for maintenance.
- Simple, fast cable fastener.
- Variable-length control crank handle (6 adjustment positions) allowing user to either apply maximum control force, or perform rapid cranking for small loads or rewinding.
- Self-locking crank handle adjustment knob for maximum user comfort and safety. Allows adjusting crank handle or removing it to prevent operation of winch.
- The TR winch can be mounted in multiple positions on a horizontal or vertical mounting plane.
- Easily transportable by cross bar.



W.L.L. (kg)	Dimensions (mm)																			
	A	B	C	D	Emax/Emin (1)	F	G	H	J	K	ØL	M	N	P	Q	R	S	T	U	V
300	225	379	195	200	250/100	200	154	12.5	28	144	7xØ13	96	77.5	74	107	24.5	184	231.5	22.5	20.5
500	242	380	200	200	250/100	200	154	21	28	144	7xØ13	102.7	83	74	107	24.5	184	236.5	22	29

(1) : by step of 30 mm

W.L.L. (kg)	Wire rope			Effort on handle (kg) (1)	Lift per turn of handle (mm) (2)	Weight without wire rope (kg)
	Ø (mm)	Maximum capacity (m)	Number of layers			
300	4.3	40	7	18	70	16.5
500	6.8	20	5	24	50	18.5

(1) : At last winding layer with maximum crank handle length (Emax)

(2) : At last winding layer